



3D-P

Technology || Connected



3D-P Product Update

Who is 3D-P?

- 3D-P designs and manufactures Intelligent Endpoints that manage the wireless network and all your on-board applications for rugged industrial environments
- We create application software to integrate multiple disparate systems on a single hardened technology platform
- We build and support customer driven technology solutions that are based upon open standards
- Has been the only proven industry standard and the only appliance box that can manage both the wireless network and multiple applications for over 10 years



What Our Products Do...



- Integrate and manage current networks
- Integrate and manage multiple current applications
- Enable new on-board and 3rd party applications
- Provide Operator Centric computing platform
- Future Proof your Wireless Network & Application Investments
- **!!! Survive !!!**

3D-P Architecture and Design

What's in the Box

Intelligent Endpoint

Core OS and CPU

Linux/
Windows etc

24k
Pre compiled
Packages

Full Tool Chain

Virtual Machine

Modular
Wenco
Matrikon
Jigsaw
ect...

Firmware Module

Wire Server
Where Am I
Cron
Geo Tab
Datalogger
HDD
Proxis

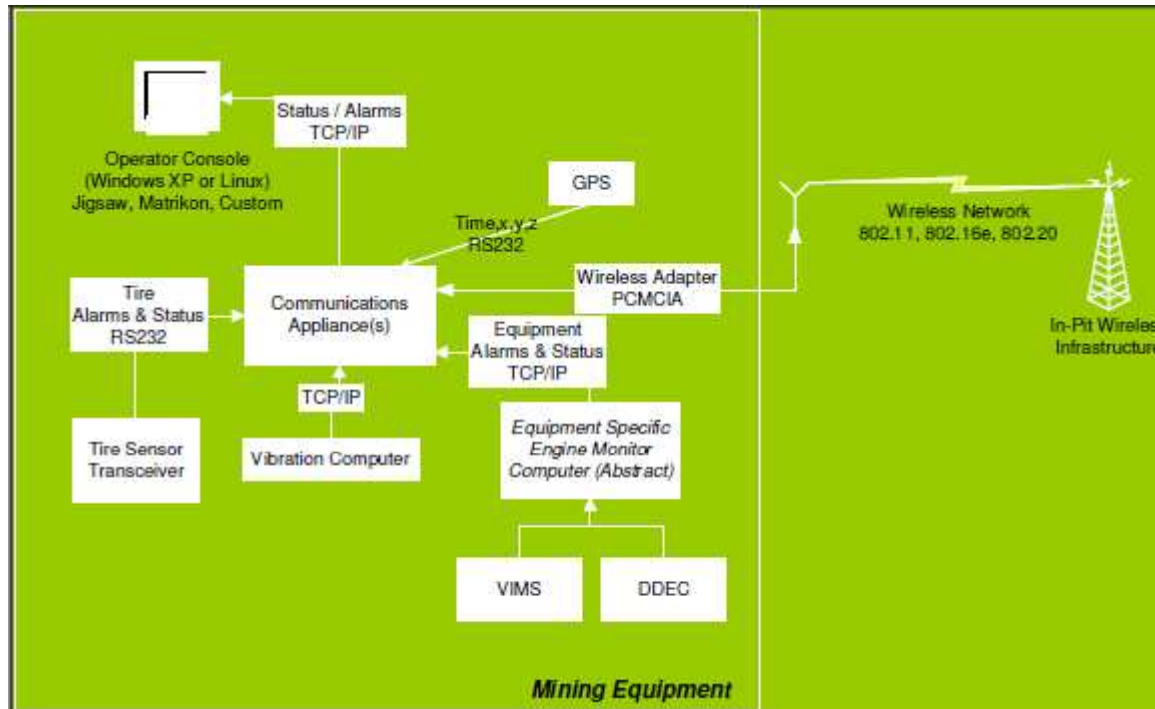
I/O Module

Ethernet
Serial
CAN
Dig/Analog I/O
Video
USB
Any PC104

RF Module

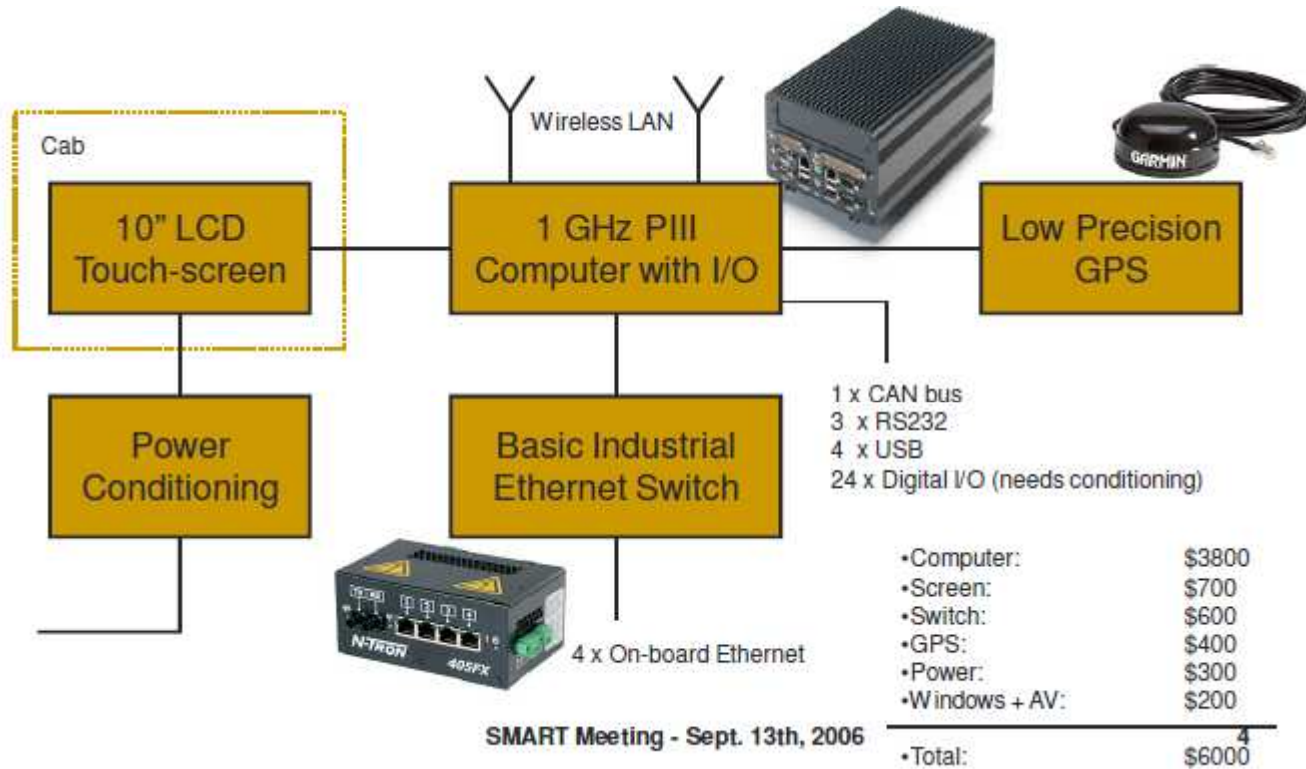
Mesh
WiFi
802.11n
GSM/NextG/
CDMA
WiMax
LTE
Any Future

One Vision...



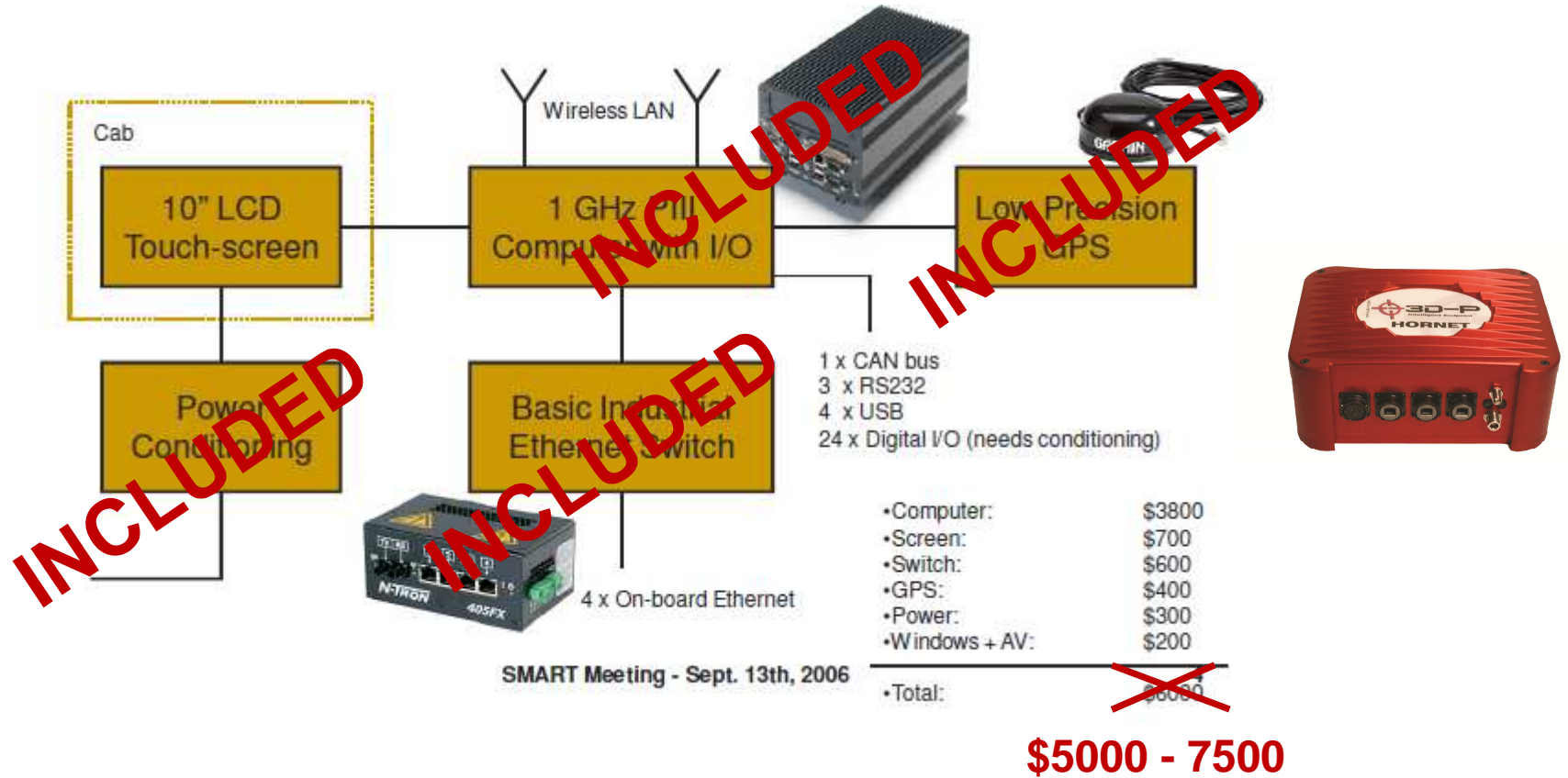
Multiple, *Best-of-Breed* applications that utilize a single on-board platform based on open systems standards.

One Vision...



SMART Meeting - Sept. 13th, 2006

One Vision with 3D-P



Questions